



# AN112/120

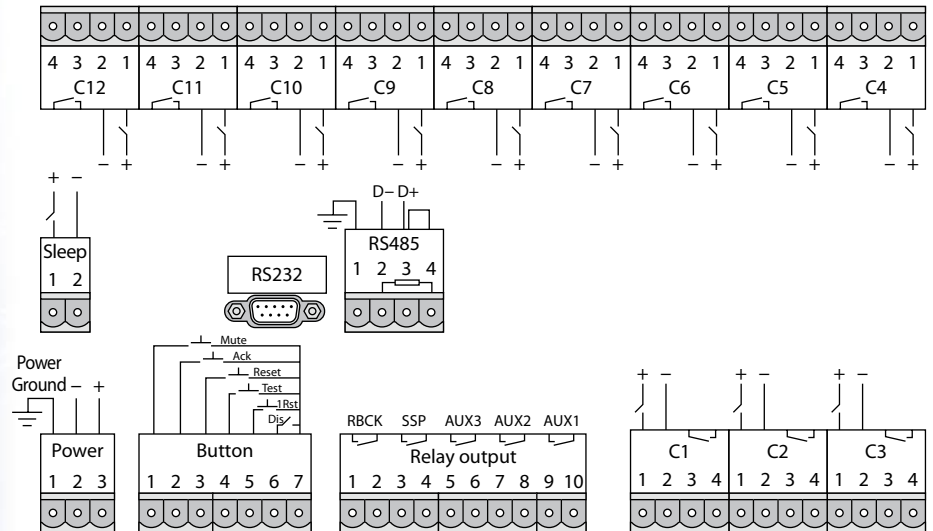
## Programmable Alarm Annunciator

The AN112/120 series Alarm Annunciator provides ideal solution for all your alarm system management and requirement. It comes with either 12 or 20 windows, and due to the use of microprocessor-based design, the alarm annunciator is highly flexible in terms of functionality and programmability, suitable for all application and industries.

### Features

- 12 or 20 windows. Replaceable super-bright LED modules, with choice of amber or red illumination
- 11 Alarm Sequences as per ISA-18.1 standard
- Each channel/window fully field programmable, either from front panel built-in pushbutton or using PC
- Option of either RS232 or RS485 MODBUS-RTU communication. Comes with user-friendly configuration software.
- Repeat relay for each window as well as numerous configurable multifunction output relays for connection to external equipment to form alarm management system
- Sleep or unattended mode feature is available, for stations not permanently manned
- Auto-silence and auto-acknowledge features, with delay settable from 1 – 255 s

### TYPICAL CONNECTION DIAGRAM



### Tests And Standards

- Electrostatic discharge IEC61000-4-2, Class III, air discharge ..... 8 KV
- Electrostatic discharge IEC61000-4-2, Class III, contact discharge ..... 6 KV
- Electrical fast transient IEC61000-4-4 ..... 4 KV, 5/50ns
- Surge immunity IEC61000-4-5 ..... 4 KV, L to E
- Enclosure protection when panel mounted ..... Front: IP41  
..... Enclosure: IP30

PHUONGLAI.COM

### Technical Data

#### WINDOW

Window Dimension: 50 x 30 mm.  
 Type: White translucent lens.  
 Colours: Red, Amber. Coloured by field replaceable LED module.  
 Windows Flash Fast: 1.4 Hz ( 0.4s on, 0.4s off ),  
 Slow: 0.45 Hz ( 1.1s on, 1.1s off ),  
 Intermittent: ( 0.4s on, 1.8s off )

**ALARM SEQUENCES** M, A, R, R-12, F1A, F1M, F2A, F2M, F3A, F3M, Follower

**TYPE OF MOUNTING** Panel Mounting

#### AUXILIARY POWER INPUT

Fuse protected.  
 AN1xx-30 24-36 V DC or 18-27 V AC.  
 AN1xx-110 88-132 V DC or 64-95 V AC.  
 Power consumption AN112: 6 W, AN120: 8 W

#### ALARM CONTACT INPUTS

**Opto-isolated inputs**  
 AN1xx-30 24-36 V DC or 18-27 V AC.  
 AN1xx-110 88-132 V DC or 64-95 V AC.  
 Input current 3 mA typical

#### RELAY OUTPUTS

Repeat relays Potential free for each alarm point.  
 5 A at 250 V AC, 3 A at 30 V DC. Resistive load.  
 AUX1-AUX3, RBACK, SSP 5 A at 250 V AC, 5 A at 30 V DC. Resistive load.

#### TERMINALS

Wire size 28-14 AWG. ( 0.08mm<sup>2</sup> to 2.5mm<sup>2</sup> )  
 Removable screw type terminal block ( removable )

#### ENVIRONMENT

Operation temperature -20 to 60°C  
 Storage temperature -20 to 80°C  
 Humidity 0 - 95% RH, non condensing

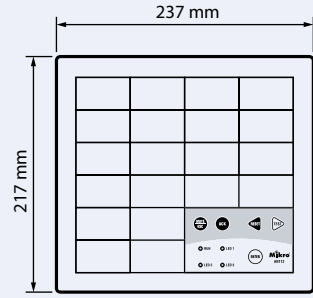
#### COMMUNICATION

Hardware interface AN1xx - xx - x - A: RS232  
 AN1xx - xx - x - B: Isolated RS485  
 Protocol Modbus - RTU  
 Baud rate 300 to 57600

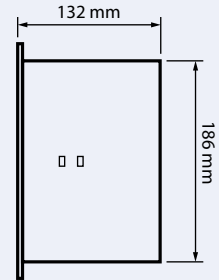
#### ENVIRONMENTAL CONDITIONS

Temperature : -5°C to +55°C  
 Humidity : 56 days at 93% RH and 40°C non-condensing

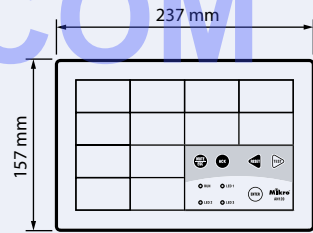
### CASE DIMENSIONS



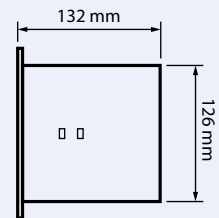
**AN120 Front**



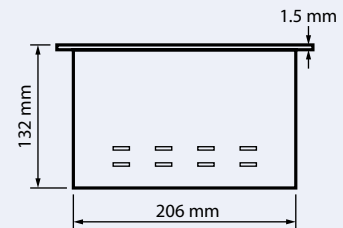
**AN120 Side**



**AN112 Front**



**AN112 Side**



**Bottom**

### Ordering Information

Order code: **AN1** [ ] - [ ] - [ ] - [ ]

**A:** RS 232 communication  
**B:** RS 485 communication

**0:** without repeat relays  
**1:** with repeat relays

Power Supply: **30, 110** V DC

Number of Windows: **12, 20**

For example: 12 windows, 30 V DC, with repeat relays, RS232 communication:  
**AN112-30-1-A**