



# MK201A

## Features

- Microprocessor based numerical relay
- Current measurement based on fundamental frequency
- Low-set definite time relay
- High-set instantaneous relay
- Separate low-set and high-set indicators
- Option to disable the high-set relay
- Front panel access to the test function
- Complies with IEC 60255-26 standard

## PERFORMANCE

Adjustable accuracy : Less than  $\pm 5\%$   
 Repeatability : Less than 0.5% of full scale

## MECHANICAL

Mounting : Panel mounting  
 Front panel : Standard DIN 96 mm x 96 mm  
 Approximate weight : 0.6 kg

## ENVIRONMENTAL CONDITIONS

Temperature :  $-5^{\circ}\text{C}$  to  $+55^{\circ}\text{C}$   
 Humidity : 56 days at 93% RH and  $40^{\circ}\text{C}$  non-condensing

## Technical Data

### RATINGS

Rated current ( $I_n$ ) : 5 A  
 Rated frequency : 50 Hz  
 Burden :  $< 0.3 \text{ VA}$  at  $I_n$   
 Thermal withstand :  $4 \times I_n$  continuous

### AUXILIARY SUPPLY

Model MK201A-240A : 198 ~ 265 V AC  
 Model MK201A-110A : 94 ~ 127 V AC  
 Supply frequency : 50 Hz  
 VA rating : 3 VA typical

### SETTING RANGES

Low-set ( $I >$ ) : 0.1 A to 2.0 A  
 : 2% to 40%  
 Low-set delay time (DELAY): 0.05 sec to 1.0 sec  
 High-set ( $I >>$ ) :  $I >$  to  $10 \times I$  or disable  
 High-set delay time ( $t >>$ ): Instantaneous

### CONTACTS

Trip contact (R1) : Manual reset type  
 Contact Arrangement : Change-over  
 Contact rating : 5 A, 250 V AC ( $\cos\phi = 1$ )  
 Contact material : Silver alloy  
 Expected electrical life: 100,000 operations at rated current  
 Expected mechanical life:  $5 \times 10^6$  operations

### INDICATORS

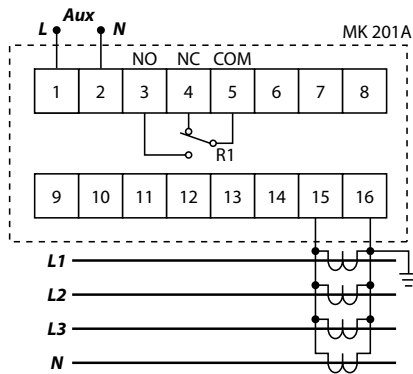
Auxiliary supply : Green indicator  
 Pick-up : Red indicator  
 Trip : Red indicator



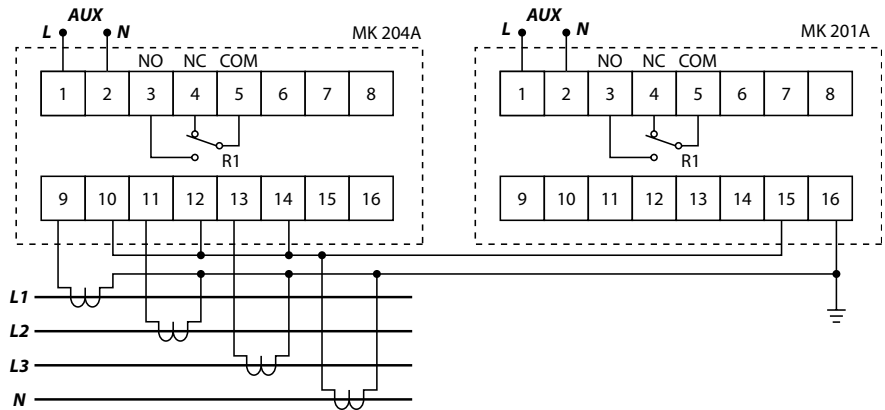
MK201A Earth Fault Relay

MK201A

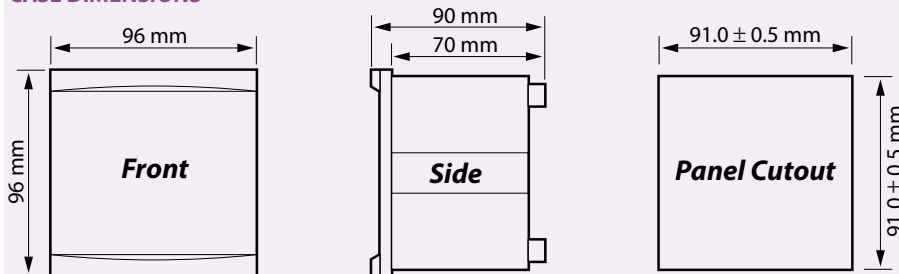
**TYPICAL APPLICATION DIAGRAM**



**COMBINED OVERCURRENT & EARTH FAULT RELAYS**



**CASE DIMENSIONS**



**Ordering Information**

MODEL	DESCRIPTION
MK201A - 240A	For 50 Hz system, auxiliary voltage 198 ~ 265 V AC
MK201A - 110A	For 50 Hz system, auxiliary voltage 94 ~ 127 V AC