



MK202A

Features

- Microprocessor based numerical relay
- Current measurement based on fundamental frequency
- Low-set inverse definite minimum time (IDMT) relay
- High-set instantaneous relay
- Separate low-set and high-set trip indicators
- Option to disable high-set element
- Front panel access to test function
- Complies with IEC 60255-26 standard

Technical Data

RATINGS

Rated current (I_n)	: 5 A
Rated frequency	: 50 Hz
Burden	: < 0.3 VA at I_n
Thermal withstand	: 4 x I_n continuous

AUXILIARY SUPPLY

Model MK202A-240A	: 198 ~ 265 V AC
Model MK202A-110A	: 94 ~ 127 V AC
Supply frequency	: 50 Hz
VA rating	: 3 VA typical

SETTING RANGES

Low-set ($I >$)	: 0.1A to 2.0 A
	: 2% to 40%
Time multiplier (TM)	: 0.05 to 1.0
High-set ($I >>$)	: $I >$ to 10 x $I >$ or disable
High-set delay time ($t >>$)	: Instantaneous

TIME CURRENT CHARACTERISTIC CURVE

- Normal Inverse

CONTACTS

Trip contact (R1)	: Manual reset type
Contact Arrangement	: Change-over
Contact rating	: 5 A, 250 V AC ($\cos\phi = 1$)
Contact material	: Silver alloy
Expected electrical life	: 100,000 operations at rated current
Expected mechanical life	: 5×10^6 operations

INDICATOR

Auxiliary indicator	: Green indicator
Pick-up	: Red indicator
Trip	: Red indicator

PERFORMANCE

Adjustable accuracy	: Less than $\pm 5\%$.
Repeatability	: Less than 0.5% of full scale.

MECHANICAL

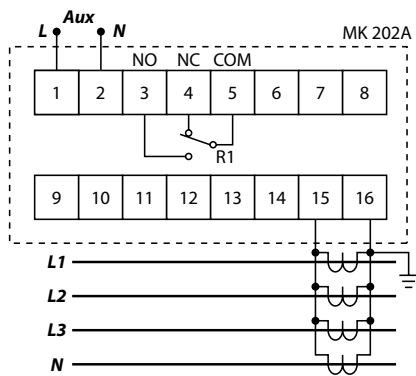
Mounting	: Panel mounting
Front panel	: Standard DIN
	96 mm x 96 mm
Approximate weight	: 0.6 kg

ENVIRONMENTAL CONDITIONS

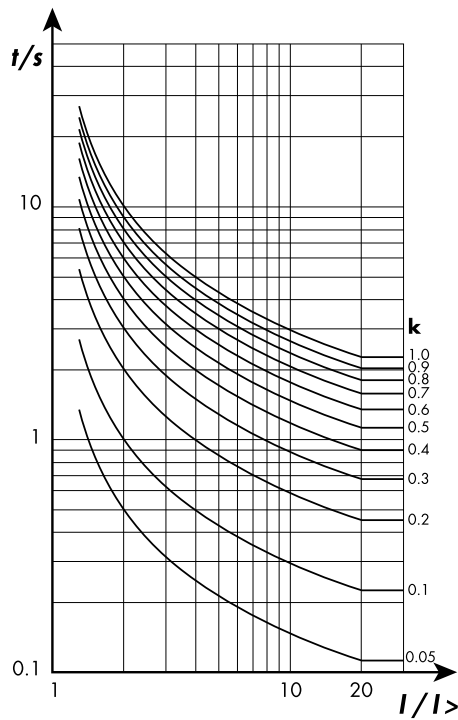
Temperature	: -5°C to $+55^\circ\text{C}$
Humidity	: 56 days at 93% RH and 40°C non-condensing

PHUONGLAI.COM

TYPICAL APPLICATION DIAGRAM

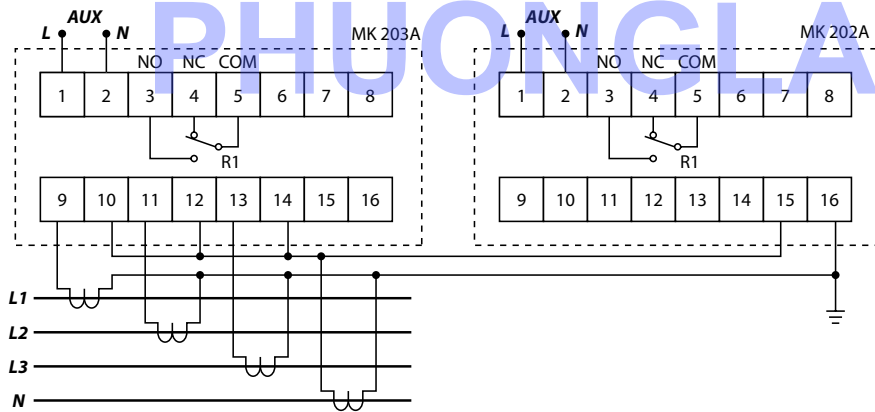


IDMT NORMAL INVERSE

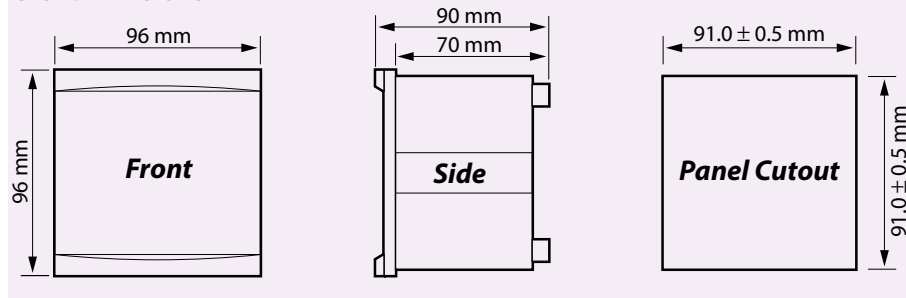


MK202A Earth Fault Relay

COMBINED IDMT OVERCURRENT & EARTH FAULT RELAYS



CASE DIMENSIONS



Ordering Information

MODEL	DESCRIPTION
MK202A - 240A	For 50 Hz system, auxiliary voltage 198 ~ 265 V AC
MK202A - 110A	For 50 Hz system, auxiliary voltage 94 ~ 127 V AC

