

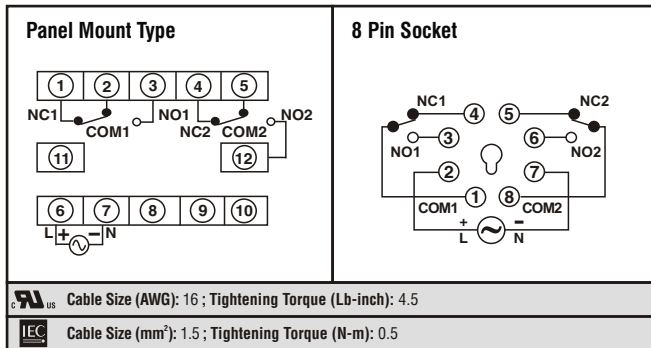


1/16DIN
48mm x 48mm

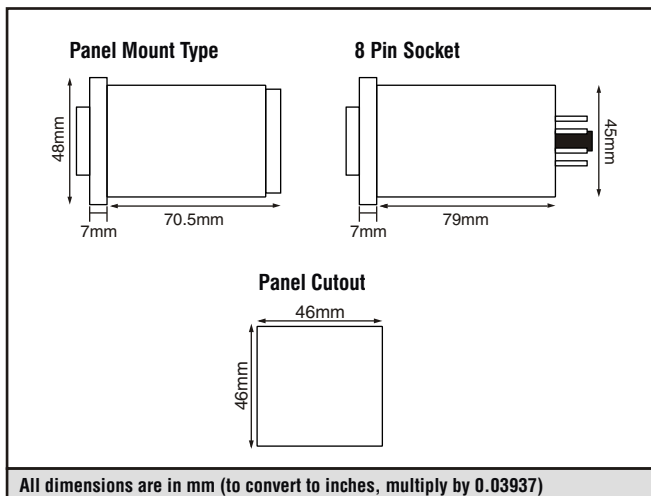
ORDERING INFORMATION

Part No.	Supply Voltage	Terminal Connection	
		8 Pin Socket	Panel Mount Type
55XC-P8	20 to 240V AC 12 to 240V DC	■	
55XC-T	20 to 240V AC 12 to 240V DC		■
Accessory			
RGS-8.	8 Pin Socket		
Also available in 11 Pin Socket Terminals, please consult Selec Controls for more information.			

TERMINAL CONNECTIONS



DIMENSIONS



FEATURES

- Cyclic With Unequal ON & OFF Time
- 6 Time Ranges
- Universal Supply Voltage
- LED Status Indicator: Power ON, Relay ON
- Compact Size

TECHNICAL SPECIFICATIONS

INPUT SPECIFICATIONS

Accuracy Setting: ±5% of F.S.
Repeat: ±0.5% or 50 msec
(F.S. = Full Scale)

Reset On interruption of power;
Reset time < 100 msec

FUNCTIONAL SPECIFICATIONS

Modes Cyclic ON first or OFF first

Time Ranges 0 - 1 sec / min / hr (ON Time)
0 - 10 sec / min / hr (ON Time)
0 - 1 sec / min / hr (OFF Time)
0 - 10 sec / min / hr (OFF Time)

OUTPUT SPECIFICATIONS

Output Contact DPDT (2 C/O)

Contact Rating 5A @ 230V AC / 24V DC, resistive

GENERAL SPECIFICATIONS

Supply Voltage 20 to 240V AC (50 / 60Hz)
12 to 240V DC

Power Consumption 2VA max

Temperature Operating: 0 to 50°C (32 to 122°F)
Storage: -20 to 75°C (-4 to 167°F)

Humidity (non-condensing) 95% RH

Weight 80 g (0.176 lbs)

Protection Level IP40 for faceplate